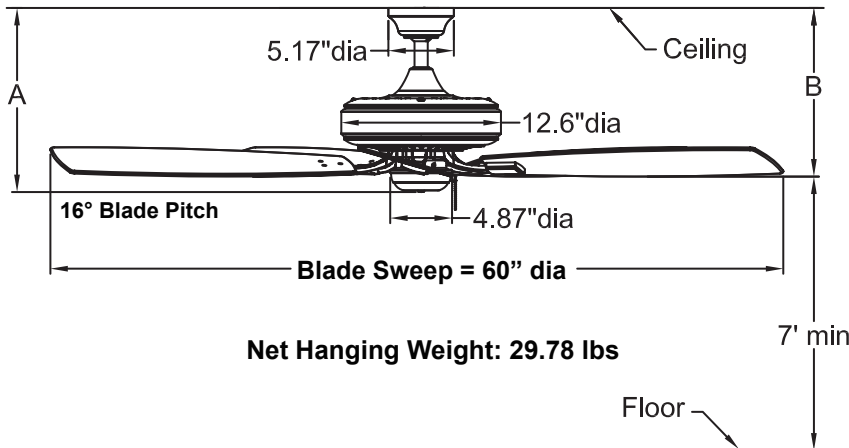


EDGEWOOD® SERIES

TF710**-220 Deluxe Fan



	A	B
Fan w/4.5" downrod	14.54"	13.31"
Fan w/12" downrod	22.04"	20.81"
Fan w/18" downrod	28.04"	26.81"
Fan w/24" downrod	34.04"	32.81"
Fan w/36" downrod	46.04"	44.81"
Fan w/48" downrod	58.04"	56.81"
Fan w/60" downrod	70.04"	68.81"
Fan w/72" downrod	82.04"	80.81"

INSTALLATION REQUIREMENTS:

Fan must be attached to a securely anchored electrical junction box capable of withstanding a load of at least 50 lbs.

ELECTRICAL REQUIREMENTS:

Requires a grounded electrical supply line of 220~240 volts AC, 50 Hz, 5 amp circuit.

MOTOR SPECS:

212x25-220 motor is designed for optimal performance with this fan.

BLADES:

A set of five 26" reversible wood blades is included.

CONTROL OPTIONS:

Optional C1-220, C2-220, C3-220 and C6-220 wall controls and CR4WH-220 remote control (with receiver units) are available—sold separately. Instructions are provided with each control.

LIGHTING OPTIONS:

Optional lighting fitters and light kits are available. See our catalog or visit www.fanimation.com for available lighting options.

DOWNROD OPTIONS:

Fan comes with 1" dia. x 4.5" long downrod. Optional downrods available in 12", 18", 24", 36", 48", 60", and 72" lengths. A downrod coupler is available for installations requiring a downrod longer than 72". Fan can be mounted on a sloped ceiling up to 19°. Call technical support for more information.

LOCATION USE:

Fan is rated for dry locations only.

Available Finishes		
Fan / Housing Assembly	Blades - Traditional	
SN	Satin nickel	Walnut / light walnut
TS	Tortoise shell	Walnut / light walnut
WH	White	White / white oak

TUV/GS Efficiency Info (220V)			
Fan Speed	Max RPM	Amps	Watts
High	159	0.73	84.3
Med	115	0.56	49.8
Low	74	0.37	22.0