

# access

L I G H T I N G

## INSTALLATION INSTRUCTIONS

### IMPORTANT

Before assembling your access lighting fixture, please make sure that you carefully read through these instruction sheets. Consider having your fixture installed by a qualified licensed electrician.

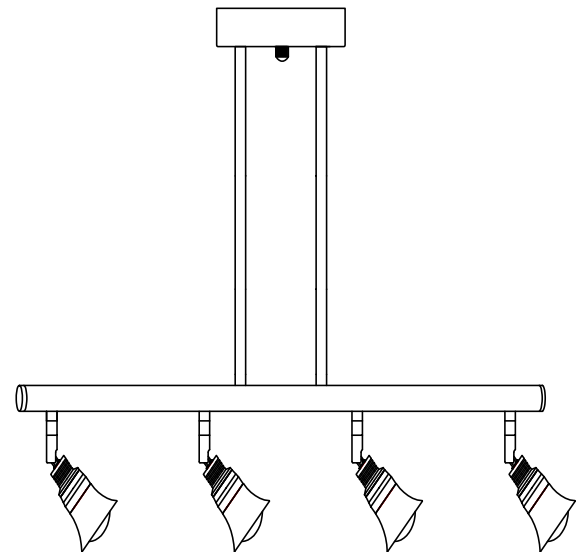
**NOTE:** The important safeguards and instructions that appear in this manual are not meant to cover all possible conditions and situations that may occur. It must be understood that common sense, caution and care, are factors that can't be built into any product. These factors must be supplied by the person(s) caring for and operating the fixture.

### GENERAL INFORMATION

All electrical connections must be in accordance with all ordinances, Local and National Electrical Codes. These fixtures are intended for mounting to a standard 4" x 2 1/2" metal octagon outlet box. The box must be directly supported by the building structure and U.L. Recognized.

### STEP BY STEP INSTRUCTIONS

Before starting your installation disconnect the Power by turning off the Circuit Breaker or by removing the fuse at the fuse box. Just turning the light off at the light switch is not sufficient to prevent electrical shock.



**COLLECTION**  
OPTIX

**APPLICATION**  
Pendant Fixture

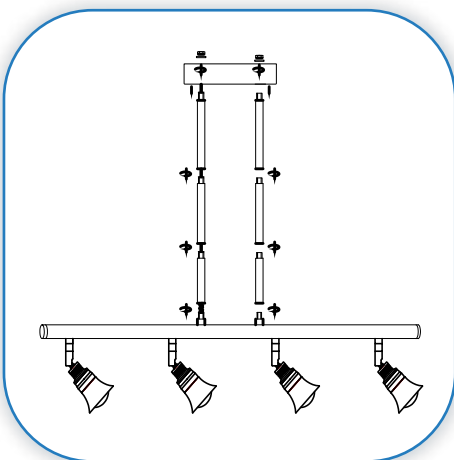
**MODEL NO.**  
63054LEDD

### WHAT WE PROVIDE

- Crossbar
- Mounting Hardware
- 4 x Acrylic shades
- LED

### WHAT YOU NEED

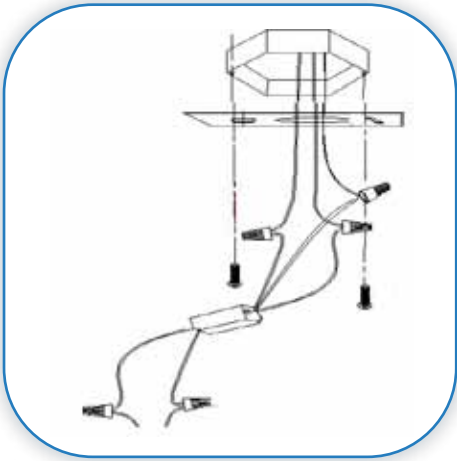
- Screwdriver
- Wire Cutters
- Wiring Supplies as Specified by Electrical Code



### PREPARE FIXTURE

1

- If there is an existing fixture remove it.
- Tighten 3pcs x 2sets rods to the canopy and fixture.
- Expose the supply wires from the outlet box.



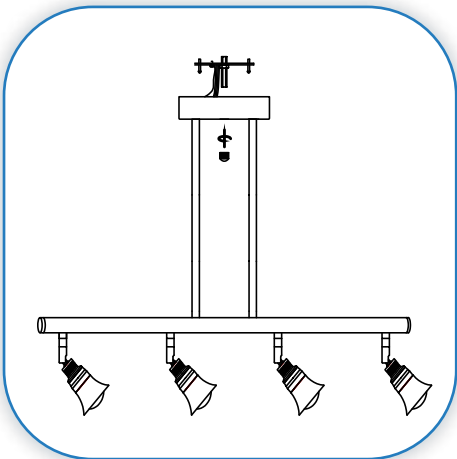
2

### MAKE WIRE CONNECTIONS WITH DRIVER

Mount the crossbar to the J-box with the supplied screws. Gently pull the supply wires through the hole in the crossbar. Connect the black supply wire to the black driver input wire. Secure with the supplied wire nut. Connect the white supply wire to the white driver input wire. Secure with the supplied wire nut. Either wrap the green wire around one of the protruding screws or connect it to the supply ground wire. Secure all wires with electrical tape (not supplied).

Tuck all wires carefully into the J-Box

Connect the red driver wire to the black fixture wire. Secure with the supplied wire nut. Connect the blue driver wire to the white fixture wire. Secure with the supplied wire nut.

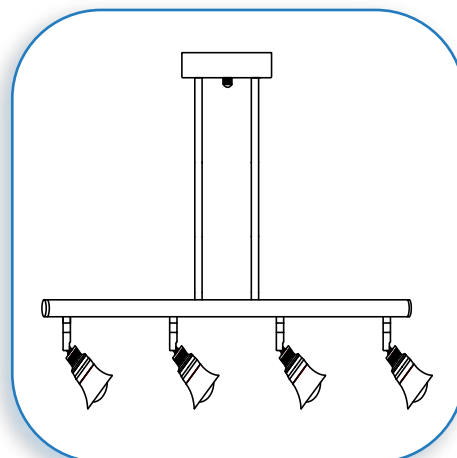


3

### MOUNT THE CANOPY

Hold the canopy up to the crossbar.

Align the hole at the centre of the canopy and secure with the supplied screw nut.



4

### RESTORE THE ELECTRICITY AND CHECK THE OPERATION OF YOUR NEW ACCESS FIXTURE

“Correct Polarity is necessary for the Fixture to operate, please follow the above wiring instructions carefully”