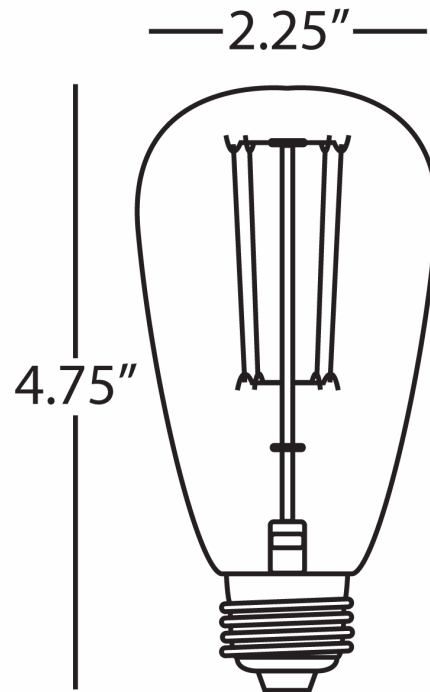


HISTORICAL BULBS

BUL 09

9 - 40W

1910 Squirrel Cage Filament Lamp



**** Available for Quick SHIP ****